

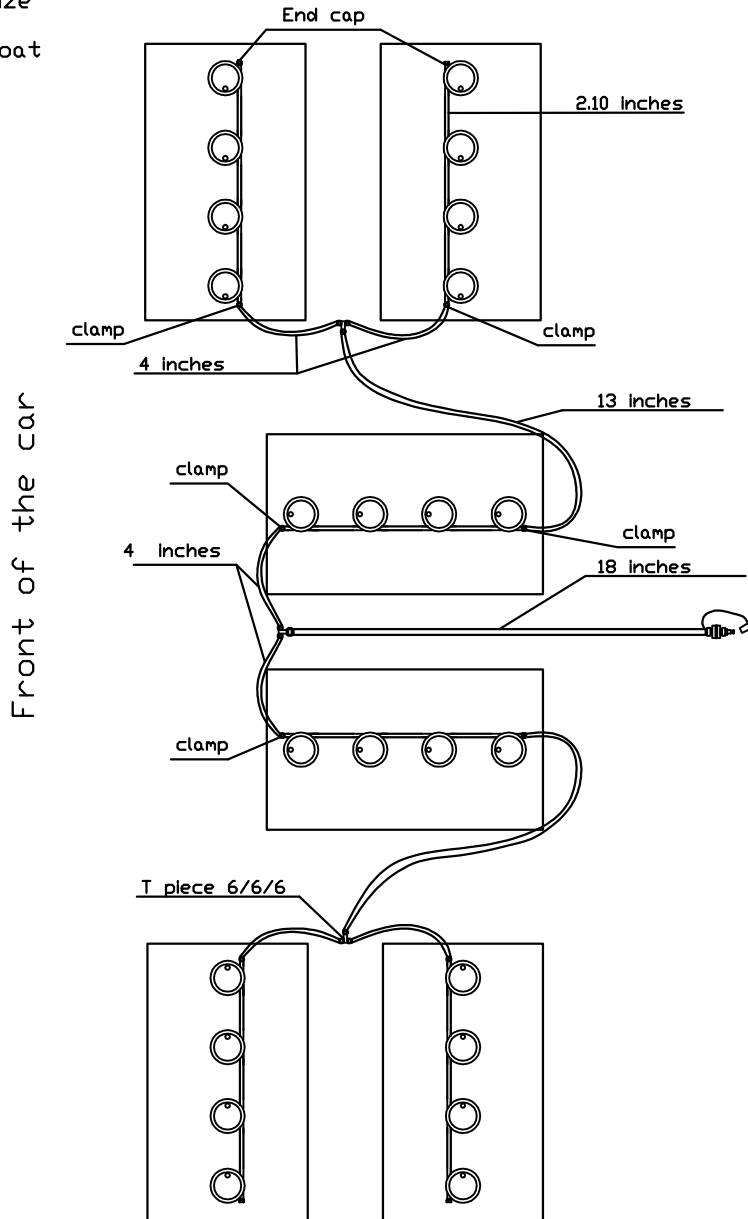


Club Car w/ US Batteries

GCC-KITCU

Please follow the sketch precisely as shown.
Installation instructions: Lay preassembled kit on top of batteries exactly as shown in sketch. Push straight down on each valve until it snaps into the cell. Make sure all tubing remains unobstructed. If there are any questions concerning installation, please call Battery Filling Systems at 877-522-5431

Float size
072234
34mm Float



Please water batteries after charge and do not leave unattended

Operation instructions:

Please water batteries after charge and do not leave unattended

Connect the Delivery system (2 1/2 gallon tank, direct fill link, or direct fill gun) to single point on kit. Insert male quick connect into female to start water flow. When flow indicator stops spinning or all indicator eyes come to top of the plug, disconnect quick connect

Always disconnect from water source after filling