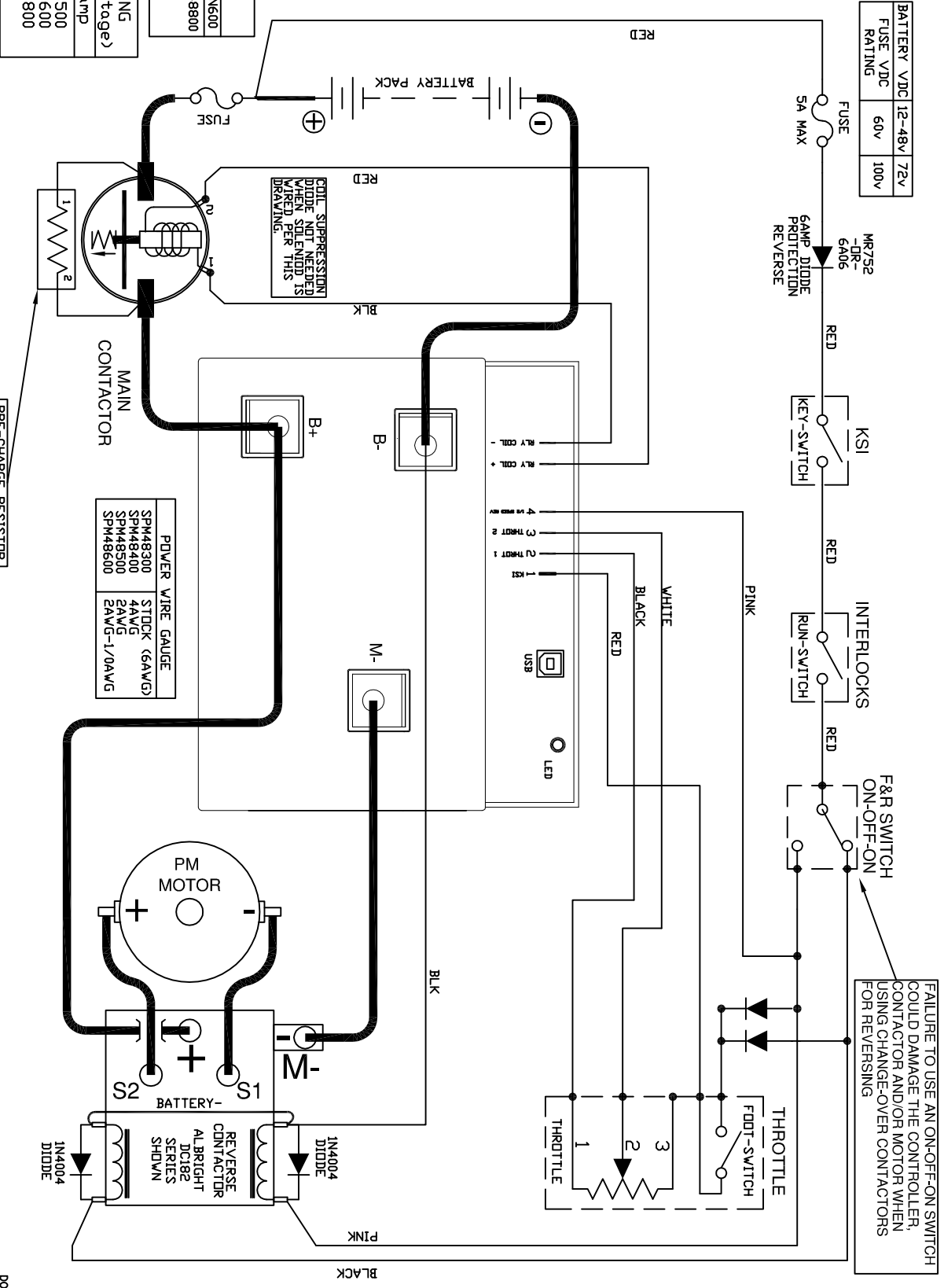


# SPM to PERMANENT MAGNET MOTOR

PART NO. DOC110-005



FAILURE TO USE AN ON-OFF-ON SWITCH  
 COULD DAMAGE THE CONTROLLER,  
 CONTACTOR AND/OR MOTOR WHEN  
 USING CHANGE-OVER CONTACTORS  
 FOR REVERSING

FUSE RATING

ANN250	ANN400	ANN600
SPM48200	SPM48500	SPM48800
SPM48300	SPM48600	
SPM48400		

CONTACTOR RATING  
 (Observe Coil Voltage)

200amp	400amp
SPM48300	SPM48500
SPM48400	SPM48600
	SPM48800

TAB	FUNCTION
1	KSI VOLTAGE THROTTLE
2	THROTTLE
3	1/2 SPEED REVERSE
4	BATTERY POSITIVE
B+	BATTERY NEGATIVE
B-	MOTOR MINUS

NOTES:  
 \* FUSES REQUIRED FOR ALL INSTALLATIONS  
 \* DIODE REQUIRED ACROSS COILS / RELAYS  
 \* PRE-CHARGE RESISTOR REQUIRED  
 \* ASSUMES FOOTSWITCH IS OPEN WHEN THROTTLE OFF  
 \* ALLTRAX RESERVES THE RIGHT TO CHANGE DOCUMENTATION WITHOUT NOTICE  
 \* ALLTRAX MAKES NO WARRANTY AS TO THE ACCURACY, SUFFICIENCY, OR SUITABILITY OF ANY TECHNICAL OR OTHER INFORMATION PROVIDED  
 > SEE OPERATORS MANUAL FOR MORE INFORMATION

PRE-CHARGE RESISTOR

250_ohm 10W (24-36V)
470_ohm 10W (48V)
1000_ohm 10W (72V)

POWER WIRE GAUGE

SPM48300	STOCK (6AWG)
SPM48400	4AWG
SPM48500	2AWG
SPM48600	2AWG-1/0AWG

REVISIONS

REV.	ECO.	DATE	APVD

DWG SCALE: 1:1  
 DRAWN: RICHARD CSUK 11/15/10  
 ENGIN: DAVID CROCKETT 11/15/10

PROPRIETARY  
 THIS TECHNICAL DATA IS PROPRIETARY AND IS RELEASED, OR DISCLOSED IN WHOLE OR IN PART WITHOUT THE PERMISSION OF ALLTRAX INC.

DO NOT SCALE DRAWING

**ALLTRAX** 1111 Cheney Creek Rd.  
 Grants Pass, OR 97527  
 PHONE: (541) 476-3565

TITLE  
 SPM - PERMANENT MAGNET W/ REVERSE  
 Wiring Diagram

SIZE DOCUMENT NO.  
 A S DOC110-005

REV. B

FILE: 001110-005-4-UM-SPM-FRM-WMGT-REV005-IMP-1M SHEET 1 OF 1