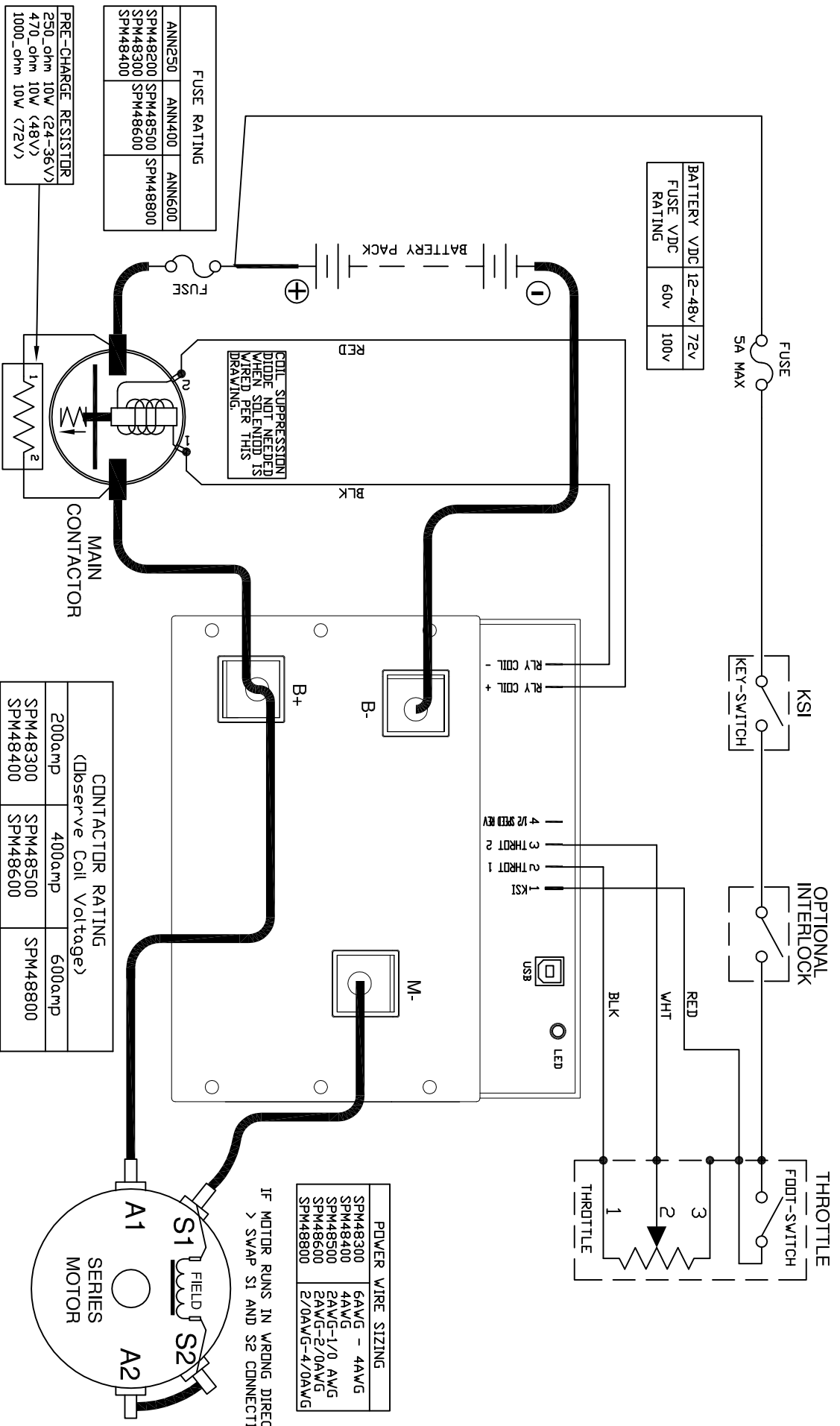


SPM - NO REVERSE

FOR SERIES MOTOR

PART NO. DOC110-003



NOTES:

- * FUSES REQUIRED FOR ALL INSTALLATIONS
- * DIODE REQUIRED ACROSS COILS / RELAYS
- * PRE-CHARGE RESISTOR REQUIRED
- > ASSUMES FOOTSWITCH IS OPEN WHEN THROTTLE OFF
- > ALLTRAX RESERVES THE RIGHT TO CHANGE DOCUMENTATION WITHOUT NOTICE
- > ALLTRAX MAKES NO WARRANTY AS TO THE ACCURACY, SUFFICIENCY, OR SUITABILITY OF ANY TECHNICAL OR OTHER INFORMATION PROVIDED
- > SEE OPERATORS MANUAL FOR MORE INFORMATION

REVISIONS			
REV.	ECO.	DATE	APVD

DWG SCALE: 1:1

DRWN/RICHARD CSUK 11/15/10

ENGR/DAMON CROCKETT 11/15/10

PROPRIETARY AND UNPUBLISHED INFORMATION. THIS TECHNICAL DATA IS PREPARED BY ALLTRAX, INC. AND IS RELEASED OR DISCLOSED IN WHOLE OR IN PART WITHOUT THE WRITTEN PERMISSION OF ALLTRAX, INC.

1111 Cheney Creek Rd.
Grants Pass, OR 97527
PHONE:(541) 476-3565

ALLTRAX

TITLE: SPM - SERIES GENERIC NO REVERSE

Wiring Diagram

SIZE DOCUMENT NO. DOC110-003

REV. B

FILE:000110-003-R-DMC-SPM-GENERIC-SERIES-NO-REV-DMC-DM

SHEET 1 OF 1