



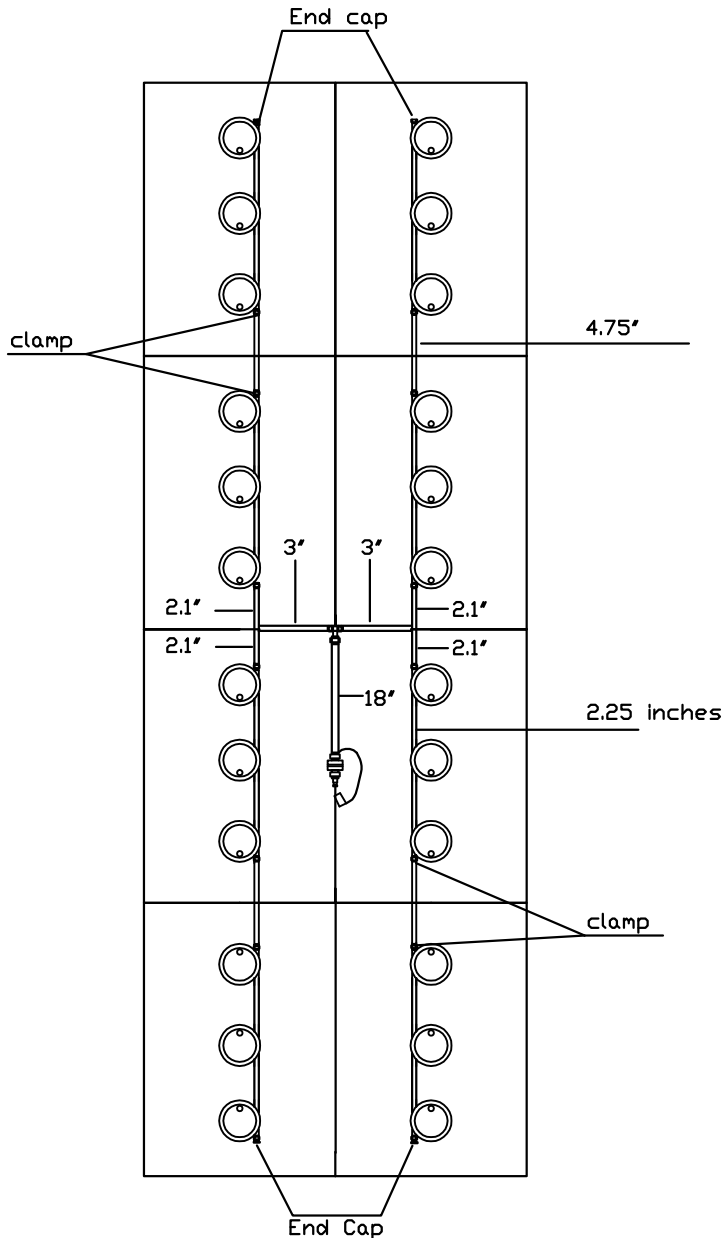
Columbia Par Car

GCP48-KITBC

48 Volt kit with Trojan batteries

Please follow the sketch precisely as shown.

Note: Before installing kit please make sure all battery cables are where they are suppose to be. Please make sure all tubing goes under battery cables. Lay out plugs in cells exactly as sketch shows. Simply push down on plug until in snaps in just like regular push in battery cap. If you have any quesitons, please call Battery Filling Systems at 877-522-5431



Please water batteries after charge and do not leave unattended

Operation instructions:

Please water batteries after charge and do not leave unattended

Connect the Delivery system (2 1/2 gallon tank, direct fill link, or direct fill gun) to single point on kit. Simply insert female quick connect into male quick connect. When flow indicator stops spinning or all indicator eyes come to top of the plug, disconnect quick connect

Always disconnect from water source after filling